

# ACID FUME SCRUBBER SPECIFICATION SHEET

## ACID FUME SCRUBBER SPECIFICATION

ProMinent®



Tank Mount Scrubber kit  
with Indicating Reagent  
**PN 7747090**



Scrubber with Wall Mount Kit  
Order parts **7747090** and **7747091**



Wall Mount Kit  
**PN 7747091**

An acid tank refill of 60 Gallons/week will deplete one unit in about 6 months depending on temperature and other influences. This scrubber is designed for Hydrochloric Acid.



Indicating Reagent  
**PN 7747102**

# ACID FUME SCRUBBER SPECIFICATION SHEET

Jaco tubing fitting is  
 $\frac{1}{2}$ "OD X  $\frac{1}{2}$ " MPT

Nipple is  $\frac{1}{2}$ "  
Bushing is  $\frac{1}{2}$ " x  $\frac{3}{4}$ "

Union is  $\frac{3}{4}$ "

Nipple is  $\frac{3}{4}$ "



10" 1-5/8" FRP Unistrut channel

3" FRP pipe clamp

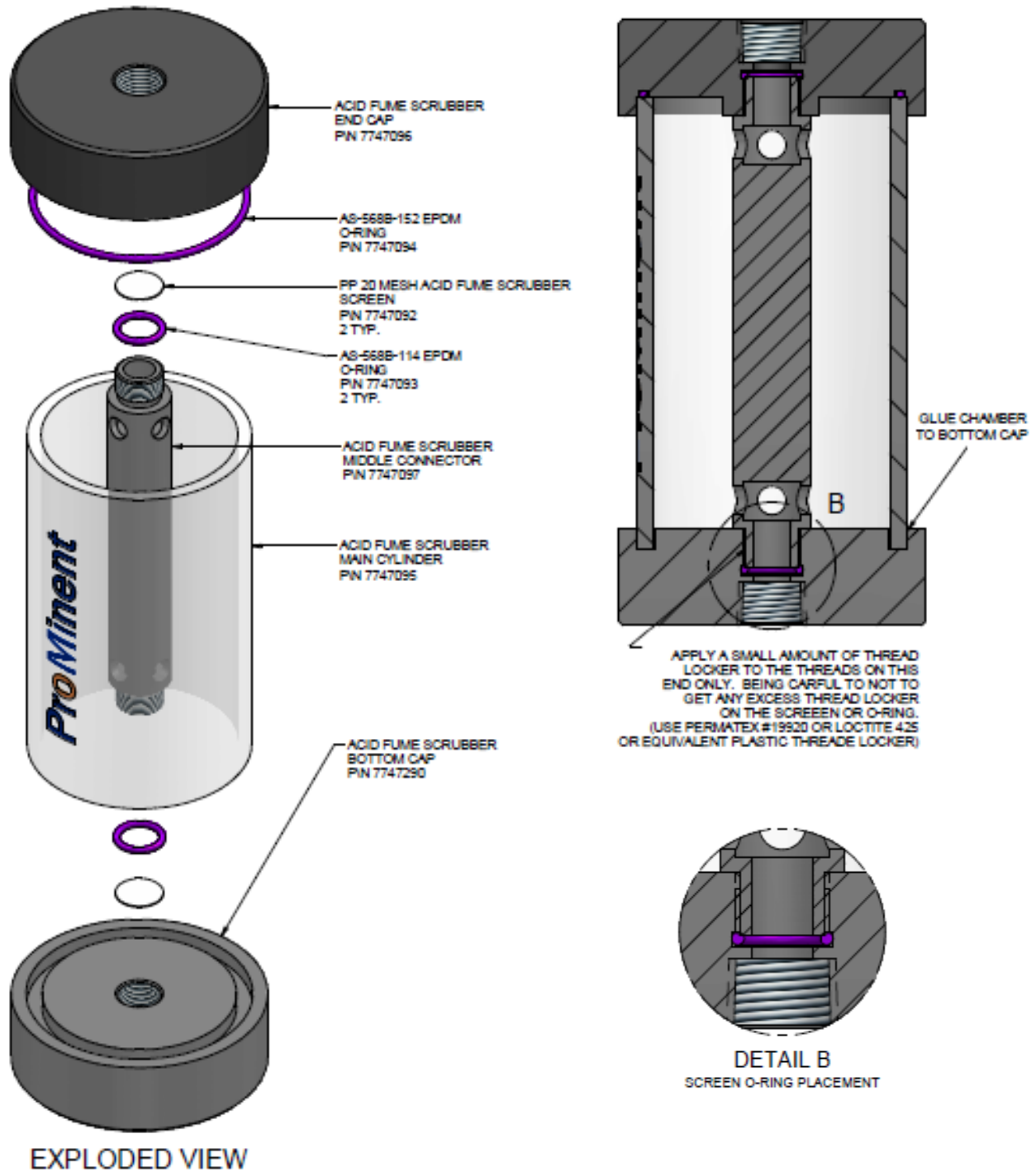
10'  $\frac{1}{2}$ "OD PVC tubing

2 Jaco  $\frac{1}{2}$ " x  $\frac{1}{2}$ " MNPT tubing fittings

$\frac{3}{4}$ " x  $\frac{1}{2}$ " PVC bushing



# ACID FUME SCRUBBER SPECIFICATION SHEET



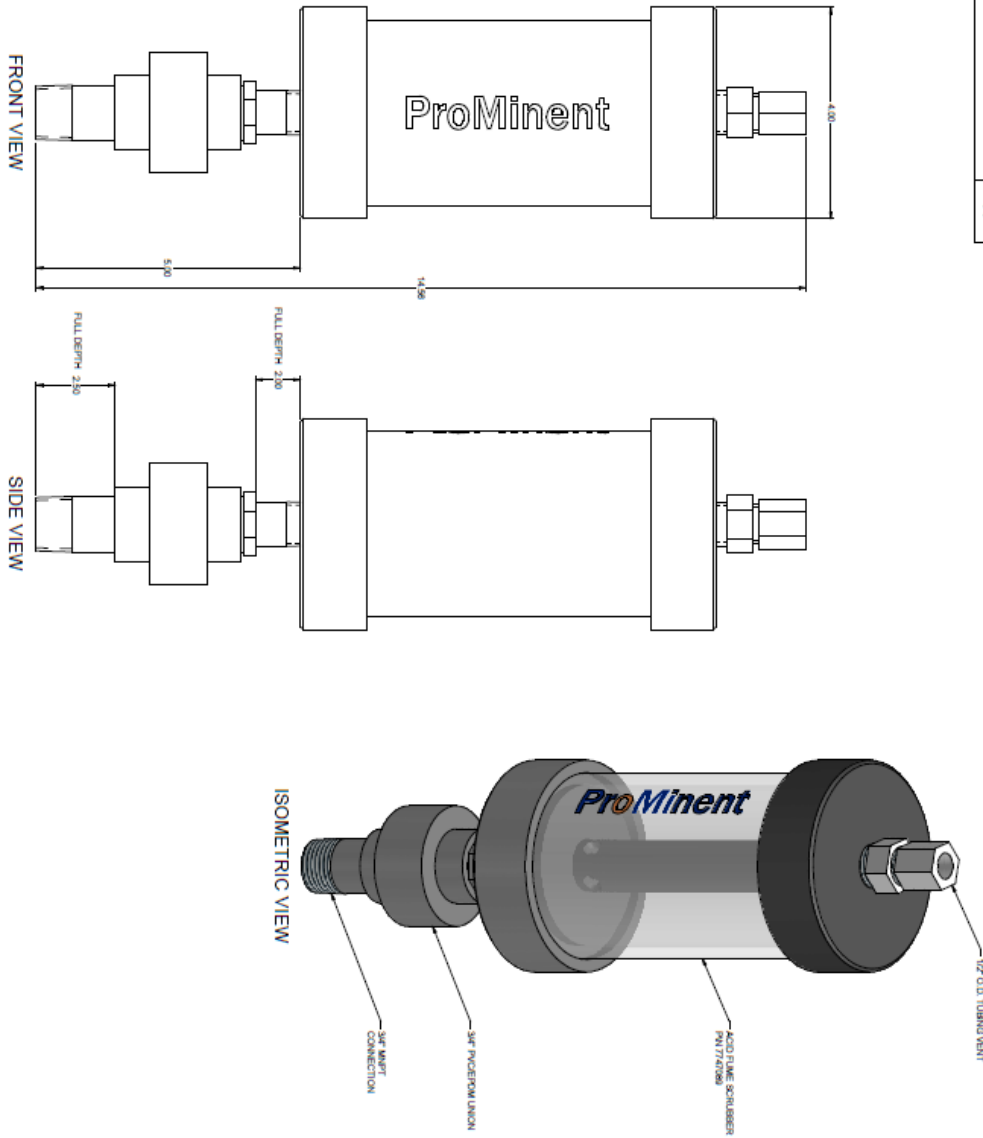
EXPLODED VIEW

**NOTES:**

The top and bottom caps are dissimilar. They are not interchangeable.  
 If you need a bottom cap or a main cylinder, they come as a glued set. Please order both.

# ACID FUME SCRUBBER SPECIFICATION SHEET

7747090-400 REV A



- NOTES:
1. ALL BRING AND FITTINGS SHALL BE SCH. 80 PUC SOCKET WELD WITH EPDM SEALS UNLESS OTHERWISE REQUIRED BY COMMENTS.
  2. TO ORDER O-RING REPLACEMENT KIT, ORDER PN 7747088.
  3. TO ORDER ADDITIONAL MEDIA, ORDER PN 7747102.
  4. TO ORDER OPTIONAL WALL MOUNTING KIT, ORDER PN 7747091.
  5. ALL DIMENSIONS ARE IN INCHES AND ARE SHOWN FOR REFERENCE ONLY.

REV	A	12/06/13	REVISED PER SCRUBBER CHANGES	DATE	DESCRIPTION
REV	0	04/10/13	FIRST ISSUE	DATE	DESCRIPTION

Customer: **PROMINENT FLUID CONTROLS, INC.**  
**(ACID FUME SCRUBBER)**  
 JOB No. 7747090 PURCHASE ORDER No. N/A  
 TITLE **DRUM MOUNTED ACID FUME SCRUBBER ASSEMBLY DRAWING**

ENGINEERING SEAL

**ProMinent**  
 THE PROMINENT GROUP OF COMPANIES

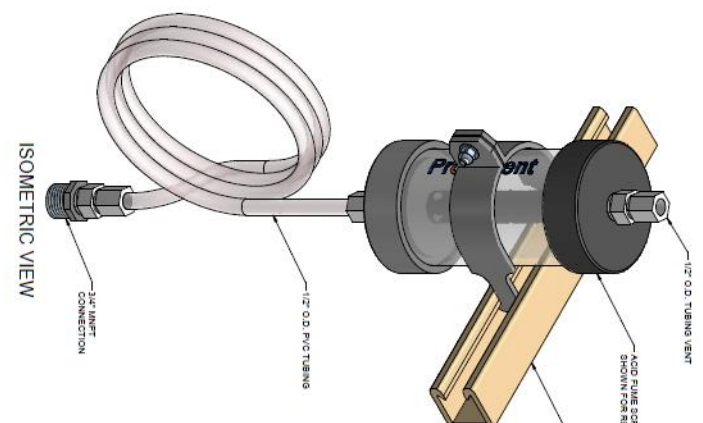
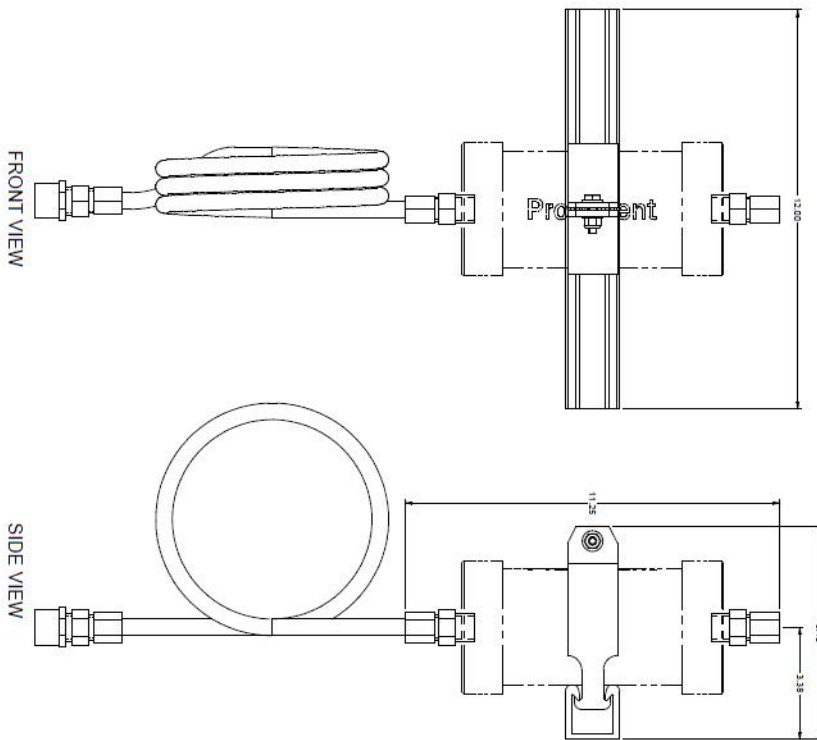
11718 BIRCHMOUNT, IN, USA  
 PROMINENT FLUID CONTROLS INC.  
 480 SOUTHQUANT DRIVE  
 GLENVIEW, ONTARIO, CANADA  
 TEL: 905.884.8888 FAX: 905.884.8888  
 WWW.PROMINENT.COM

DATE: 04/10/13  
 DRAWN: G.S.S. CHECKED: G.S.S.

REV: A PAGE: 1/1

# ACID FUME SCRUBBER SPECIFICATION SHEET

DRAWING NO. 7747091-400 REV. A



- NOTES:
1. ALL PIPING AND FITTINGS SHALL BE SCH. 80 PVC T-HEADED WITH EPDM SEALS UNLESS OTHERWISE REQUIRED BY COMPONENTS.
  2. ACID FUME SCRUBBER IS SHOWN FOR REFERENCE ONLY.
  3. ALL DIMENSIONS ARE IN INCHES AND ARE SHOWN FOR REFERENCE ONLY.

REV.	DATE	DESCRIPTION	BY	APPROVED
A	12/06/13	REVISED PER SCRUBBER CHANGES	GJS	
0	04/10/13	FIRST ISSUE	GJS	

CUSTOMER: PROMINENT FLUID CONTROLS INC.  
(ACID FUME SCRUBBER)  
JOB NO: 7747091 Purchase Order No: N/A  
TITLE: REMOTE MOUNTED ACID FUME SCRUBBER ASSEMBLY DRAWING



**Prominent**  
THE PROMINENT GROUP OF COMPANIES

17800 WINDY HOLLOW DRIVE  
DUBLIN, ONTARIO, CANADA  
L4R 0A4  
TEL: 905.881.8888 FAX: 905.881.8888  
WWW.PROMINENT.COM

DRAWING NO.	7747091-400	REV.	A	PAGE	1/1
-------------	-------------	------	---	------	-----

# ACID FUME SCRUBBER SPECIFICATION SHEET

The following information is gleaned from the MSDS.



## MATERIAL SAFETY DATA SHEET

### 1. Product and Company Identification

<b>Material name</b>	<b>SODA LIME, INDICATING, REAGENT (ACS) 4-8 MESH</b>
<b>Catalog #</b>	3021
<b>Version #</b>	02
<b>Revision date</b>	25-Mar-2010
<b>CAS #</b>	Mixture
<b>CAS #</b>	8006-28-8
<b>Manufacturer information</b>	GFS Chemicals, Inc. P.O. Box 245 Powell, OH 43065 US www.gfschemicals.com Fax 740-881-5989 Phone 740-881-5501 Toll Free 800-858-9682 Emergency Assistance Chemtrec 800-424-8300

### 2. Hazards Identification

<b>Emergency overview</b>	DANGER  Corrosive. Causes skin and eye burns. Irritating to respiratory system. Prolonged exposure may cause chronic effects. Exposure to powder or dusts may be irritating to eyes, nose and throat.
<b>OSHA regulatory status</b>	This product is considered hazardous under 29 CFR 1910.1200 (Hazard Communication).
<b>Potential health effects</b>	
<b>Routes of exposure</b>	Inhalation. Ingestion. Skin contact. Eye contact.
<b>Eyes</b>	Causes eye burns. Risk of serious damage to eyes. Do not get this material in contact with eyes.
<b>Skin</b>	Causes skin burns. Do not get this material in contact with skin.
<b>Inhalation</b>	Causes burns. Irritating to respiratory system. Inhalation of dusts may cause respiratory irritation. Do not breathe dust/fume/gas/mist/vapors/spray.
<b>Ingestion</b>	Components of the product may be absorbed into the body by ingestion. Ingestion may produce burns to the lips, oral cavity, upper airway, esophagus and possibly the digestive tract. Do not ingest.
<b>Target organs</b>	Eyes. Respiratory system. Skin.
<b>Potential environmental effects</b>	Components of this product are hazardous to aquatic life. May cause long-term adverse effects in the environment.

### 3. Composition / Information on Ingredients

<b>Hazardous components</b>	<b>CAS #</b>	<b>Percent</b>
CALCIUM HYDROXIDE	1305-62-0	>90%
SODIUM HYDROXIDE	1310-73-2	<5%
<b>Non-hazardous components</b>	<b>CAS #</b>	<b>Percent</b>
ETHYL VIOLET	2390-59-2	<1%

#### Composition comments

<b>US OSHA Table Z-1-A: Ceiling Limit Value (mg/m<sup>3</sup>)</b>		
SODIUM HYDROXIDE	1310-73-2	MGM3 - 2

# ACID FUME SCRUBBER SPECIFICATION SHEET

## 4. First Aid Measures

### First aid procedures

<b>Eye contact</b>	Immediately flush eyes with plenty of water for at least 15 minutes. Remove contact lenses, if present and easy to do. Continue rinsing. Get medical attention immediately.
<b>Skin contact</b>	Remove and isolate contaminated clothing and shoes. Immediately flush skin with plenty of water. Get medical attention immediately. For minor skin contact, avoid spreading material on unaffected skin. Wash clothing separately before reuse.
<b>Inhalation</b>	If gas/fume/vapor/dust/mist from the material is inhaled, remove the affected person immediately to fresh air. Oxygen or artificial respiration if needed. Do not use mouth-to-mouth method if victim inhaled the substance. Induce artificial respiration with the aid of a pocket mask equipped with a one-way valve or other proper respiratory medical device. Get medical attention immediately.
<b>Ingestion</b>	Rinse mouth thoroughly. Do not induce vomiting without advice from poison control center. If vomiting occurs, keep head low so that stomach content doesn't get into the lungs. Do not use mouth-to-mouth method if victim ingested the substance. Induce artificial respiration with the aid of a pocket mask equipped with a one-way valve or other proper respiratory medical device. IF SWALLOWED: Immediately call a POISON CENTER or doctor/physician.

### Notes to physician

In case of shortness of breath, give oxygen. Keep victim warm.

### General advice

Immediate medical attention is required. In case of shortness of breath, give oxygen. Keep victim warm. Ensure that medical personnel are aware of the material(s) involved, and take precautions to protect themselves.

## 5. Fire Fighting Measures

**Flammable properties** The product is not flammable. No unusual fire or explosion hazards noted.

## 6. Accidental Release Measures

<b>Personal precautions</b>	Keep unnecessary personnel away. Local authorities should be advised if significant spillages cannot be contained. Keep upwind. Keep out of low areas. Keep people away from and upwind of spill/leak. Ventilate closed spaces before entering them. Do not touch damaged containers or spilled material unless wearing appropriate protective clothing. Avoid inhalation of dust from the spilled material. Wear a dust mask if dust is generated above exposure limits.
<b>Environmental precautions</b>	Prevent further leakage or spillage if safe to do so. Do not contaminate water.
<b>Methods for containment</b>	If sweeping of a contaminated area is necessary use a dust suppressant agent which does not react with the product. Prevent entry into waterways, sewer, basements or confined areas.
<b>Methods for cleaning up</b>	Should not be released into the environment. Neutralize small amounts with diluted hydrochloric acid (HCl) and flush to sewer with large amounts of water. Collect dust using a vacuum cleaner equipped with HEPA filter. Sweep up or vacuum up spillage and collect in suitable container for disposal. Avoid dust formation. Following product recovery, flush area with water.

## 7. Handling and Storage

<b>Handling</b>	Keep formation of airborne dusts to a minimum. Provide appropriate exhaust ventilation at places where dust is formed. Do not breathe dust. Do not get this material in contact with eyes. Do not get this material in contact with skin. Do not get this material on clothing. In case of insufficient ventilation, wear suitable respiratory equipment. Avoid prolonged exposure. Wash thoroughly after handling. Avoid release to the environment. Handle and open container with care.
-----------------	--

## 13. Disposal Considerations

<b>Waste codes</b>	D002: Waste Corrosive material [pH <=2 or >=12.5, or corrosive to steel]
<b>Disposal instructions</b>	Dispose of this material and its container to hazardous or special waste collection point. Do not allow this material to drain into sewers/water supplies. Neutralize and flush solution into sewer connected to wastewater treatment system in compliance with applicable laws and regulations. Dispose in accordance with all applicable regulations.
<b>Waste from residues / unused products</b>	Not applicable.

# ACID FUME SCRUBBER SPECIFICATION SHEET

DANGER! MAY BE FATAL IF SWALLOWED. CAUSES SEVERE RESPIRATORY TRACT, EYE AND SKIN BURNS. HARMFUL IF INHALED. CONTAINS MATERIAL WHICH CAUSES DAMAGE TO THE FOLLOWING ORGANS: LUNGS, MUCOUS MEMBRANES, RESPIRATORY TRACT, SKIN, EYE, LENS OR CORNEA. Do not ingest. Do not get in eyes or on skin or clothing. Do not breathe dust. Keep container closed. Use only with adequate ventilation. Wash thoroughly after handling. FIRST AID: Call a physician. IF CONTACTED: Immediately flush skin or eyes with plenty of water for at least 15 minutes. Get medical attention. IF INHALED: Move exposed person to fresh air. Get medical attention. IF SWALLOWED: Do NOT induce vomiting unless directed to do so by medical personnel. Never give anything by mouth to an unconscious person. Get medical

REFER TO MSDS

## ProMinent Fluid Controls, Inc.

136 Industry Drive  
Pittsburgh, PA 15275  
PH: 412-787-2484  
Fax: 412-787-0704  
[www.prominent.us](http://www.prominent.us)

