

Manganese Dioxide Lithium Coin Battery
 Panasonic CR2032 Prominent PN **7760234**
 For MultiFLEX, Aegis, SlimFlex and DCM500

The Panasonic CR2032 coin battery has a 10 year life expectancy under normal conditions.

In a controller that is powered down, the load is very low. Battery life can be months for a new battery or a few weeks or even days for an older battery. Powering up the controller does not recharge the battery, however the battery may revive itself to a slight degree. Replacement is recommended at this point.

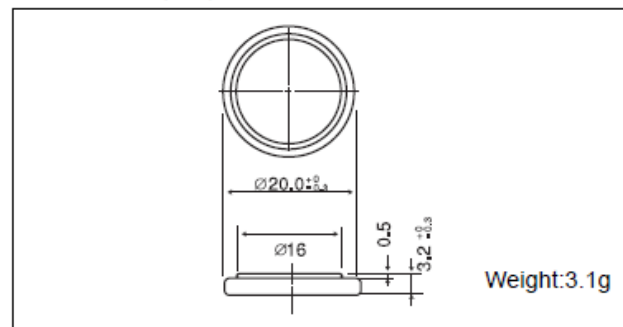
To order from Prominent; 7760234. This battery is found in most drug stores.



Battery with holding arm in MultiFLEX controller

CR2032

■ Dimensions(mm)



■ Specification

Nominal voltage (V)	3
Nominal capacity (mAh)	220
Continuous standard load (mA)	0.2
Operating temperature (C)	-30 ~ +60

■ Temperature Characteristics

