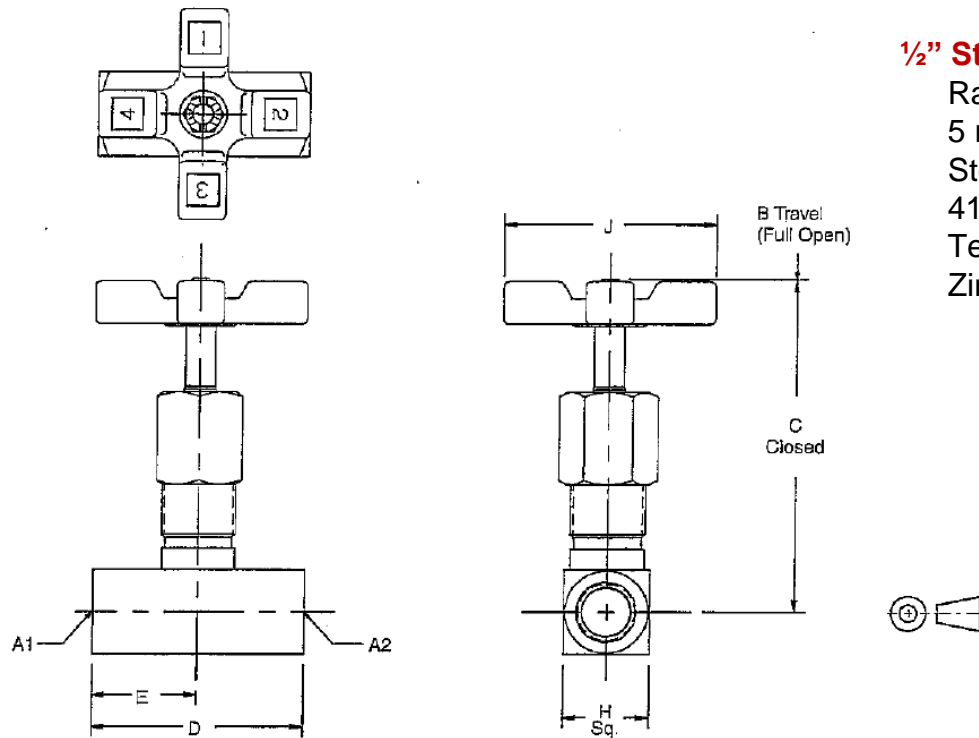


STEAM RATED 1/2" NEEDLE VALVE



1/2" Steel Needle Valve 7760006

- Rated for 350psi steam
- 5 revolution with numbered handle
- Steel body
- 416 Stainless Steel needle with 30° Taper
- Teflon packing
- Zinc Alloy Handle

ProMinent®

Description	PFC PN	AQT PN	Weight (kg/lbs)	A1	A2	B (mm/in)	C (mm/in)	D (mm/in)	E (mm/in)	H (mm/in)	J (mm/in)
Needle Valve 1/2", 250psi steam	7760006	A493210	1.00/2.1	1/2-14 NPTF Female	1/2-14 NPTF Female	129.3/5.09	116.6/4.59	66.5/2.62	33.3/1.31	31.8/1.25	82.6/3.25
Needle Valve 3/4", 250psi steam	7760007	A493211	1.6/3.50	3/4-14 NPTF Female	3/4-14 NPTF Female	141.8/5.58	127.8/5.03	82.6/3.25	41.1/1.62	38.1/1.50	98.6/3.88