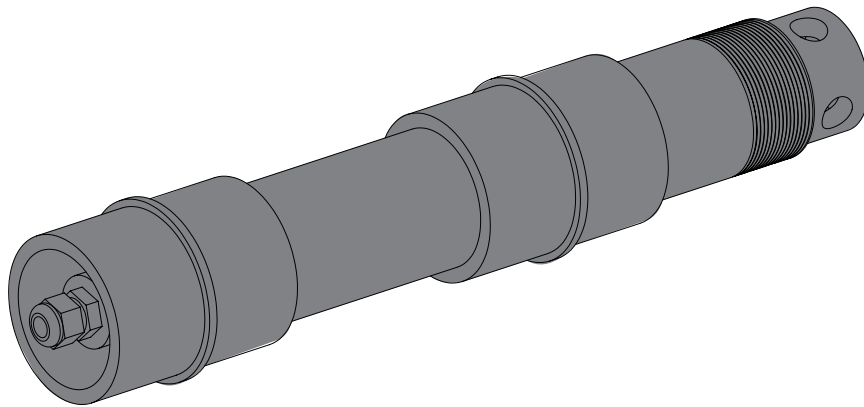


Submersible Sensor Holder

Light Duty Submersible Sensor Holder (CPVC)



The **CPVC Submersible Sensor Holder** and assembly are specifically designed for industrial and municipal wastewater applications where the sensor is to be mounted in open tanks, wastewater channels and contact tanks where there is high flow and high turbulence environments. The Submersible Sensor Holder can work with most **13.5mm** and **25mm ProMinent sensors**. This unit can be wired to any ProMinent Analyzer.

Submersible Sensor Holder is CPVC in Construction Sensor Housing and associated fittings for a complete watertight seal.

Mounting Kit includes 1-1/2" PVC Pipe, Electrical Cord Grip and PVDF Rail Mounting Bracket to mount the bracket to existing rail structure. (Available upon request).

Part Numbers

- **7744008**
CPVC Submersible Sensor Holder – 25mm, 1-1/2" FNPT
- **7744693**
CPVC Submersible Sensor Holder – 13.5mm, 1-1/2" FNPT
- **(Available Upon Request)**
Light Duty Submersible Sensor Mounting Kit



Submersible Sensor Holder

Heavy Duty Submersible Sensor Holder (304SS)



The **Stainless Steel Submersible Sensor Holder** and assembly are specifically designed for industrial and municipal wastewater applications where the sensor is to be mounted in open tanks, wastewater channels and contact tanks where there is high flow and high turbulence environments. The Submersible Sensor Holder can work with most **13.5mm** and **25mm ProMinent sensors**. This unit can be wired to any ProMinent Analyzer.

Submersible Sensor Holder is 304SS in Construction and includes 30ft of 3/4" Black Tubing, 25ft. of Aircraft Cable and associated conduit fittings for a complete watertight seal.

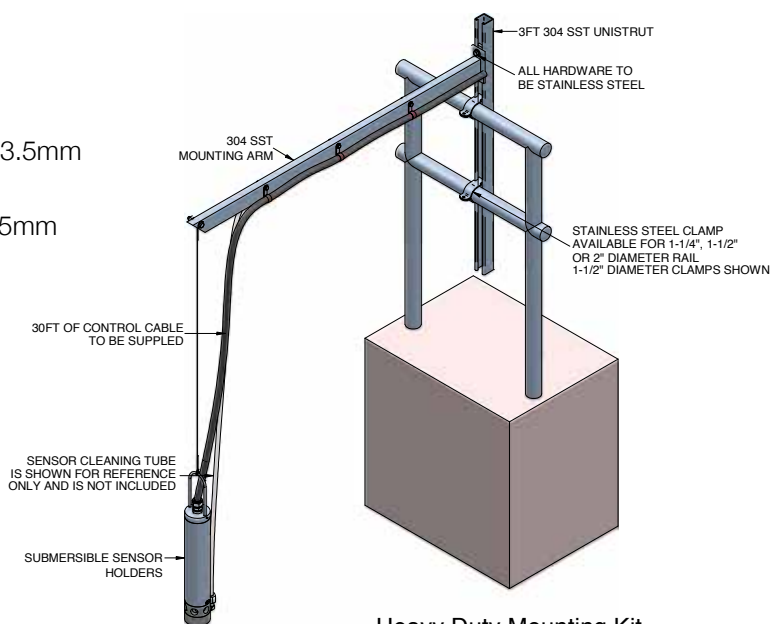
Mounting Kit includes 304SS Mounting Arm and Uni-strut to mount the bracket to existing rail structure.

Part Numbers

- **7746855**
304 SS Submersible Sensor Holder Complete – 13.5mm
- **7746856**
304 SS Submersible Sensor Holder Complete - 25mm
- **7746857**
Heavy Duty Submersible Sensor Mounting Kit

Options

- **(Available upon request)**
- Automatic Sensor Wash for in application probe head cleaning. For use with Heavy Duty Submersible Sensor Holder only and certain types of probes.



Heavy Duty Mounting Kit
ISOMETRIC VIEW



ProMinent Fluid Controls, Inc.
136 Industry Drive • Pittsburgh, PA 15275 USA
(412) 787-2484 • Fax: (412) 787-0704
email: sales@prominent.us • www.prominent.us

© 2017 ProMinent Fluid Controls, Inc.
All Rights Reserved.

PN: 7750248
submersible_sensor_holder.indd rev0 06/09/2017