

SPECIFICATION SHEET

REV. M

TF Industrial Thermal Flowswitch Part Number 7760175



ProMinent®

| | |
|----------------------------------|---|
| Body Style: | 3/4" NPT ABT body |
| Cable Length/Connector: | 10 ⁷ /3Meter, Carol 2464, AWG22, 3 conductor cable, no connector |
| Maximum distance: | 150 Feet/50 Meter. Use AWG22 to lengthen |
| Type: | Thermal sensor (proprietary) |
| Range: | Flow 1GPM/4LPM minimum up to 100°F/38°C |
| Temperature Range: | 32 °F/0°C to 100°F/38°C |
| Pressure: | Maximum 100psi/7bar |
| Requires insertion part # | 7760445 (SM2T-SE) See page 2 |
| Controller compatibility | MicroFLEX, SlimFlex, ProMtrac, MultiFLEX, Aegis |
| To Order sensor kit | 7760175 (See page 2 to order separate parts) |
| Supply voltage | 15 – 24 VDC |

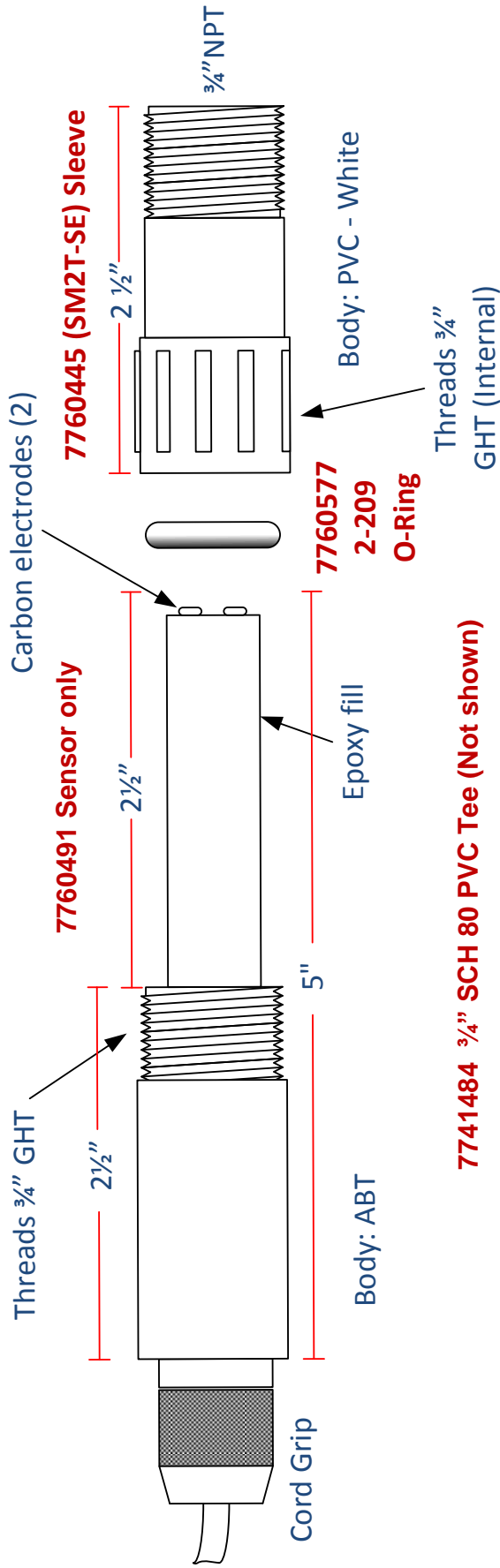
NOTE: Never include low voltage sensors in conduit that contains AC voltages.

Sensor Maintenance: If deposits on the electrode withstand cleaning with a soft, moistened cloth, the following cleaning agents may be used:

| | |
|----------------------------|---|
| General deposits: | Non-abrasive household cleaner |
| Scale or metal hydroxides: | Diluted hydrochloric acid, 0.1 to 0.3% for 3 to 5 minutes |
| Oil, grease: | Alcohol |
| Bio-fouling: | Mixture of diluted hydrochloric acid and pepsin for several hours |

Probes must be rinsed thoroughly after having been cleaned.

7760175 Complete Kit (Includes these 4 parts)



7741484 $\frac{3}{4}$ " SCH 80 PVC Tee (Not shown)

Cable: 3 conductor AWG22 Stranded

Red 15VDC
Green Ground
Black Digital input:

Aegis O -V,
MultiFLEX O-Z,
SlimFLEX, ProMtrac, MicroFLEX)



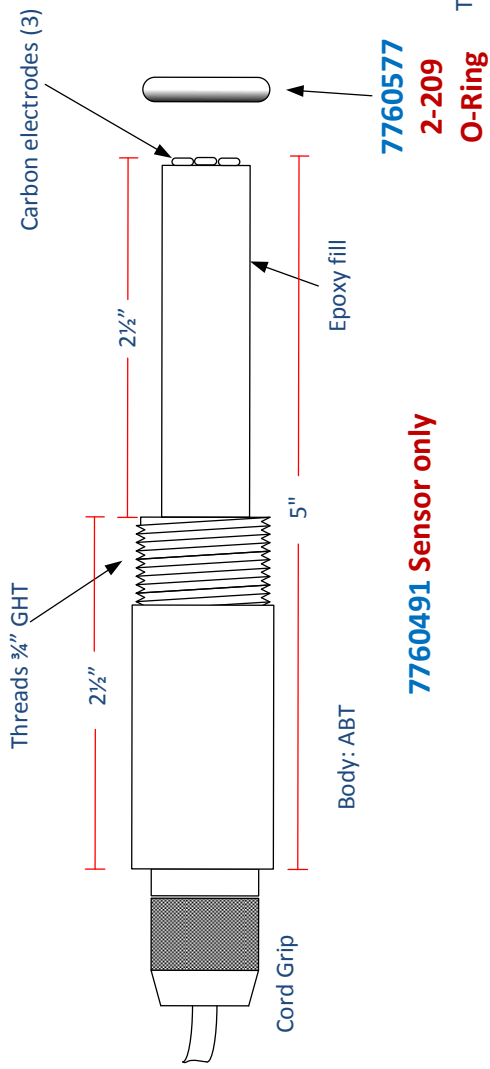
NOTE: This sensor is compatible with the MultiFLEX, Aegis, Slim and Micro series controllers. It will not work on the Smart series controllers. The TF sensor has polarity protection while the TFF sensor does not.



Extra 4 Conductor cable
7746887

See wiring examples on page 4

7500804 Complete Metric TF Sensor Kit

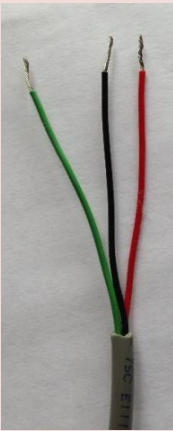


Threads 3/4" GHT
Sch80 PVC Body
DN 20 Socket

1036736 CTF/TF Adapter



Extra 4
Conductor cable
7746887



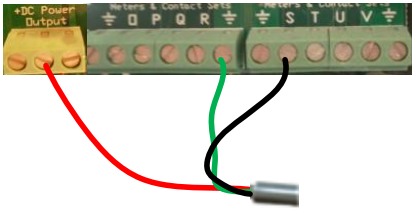
Cable: 3 conductor AWG22 Stranded
Black Digital Output Signal
Red 15VDC
Green Ground
Wiring examples on next page

TF sensor termination examples

The TF flowswitch signal can be terminated on any digital input, O through Z on the Aegis and MultiFLEX controllers.
Scroll through the menu to see if an input has been programmed and use that letter.

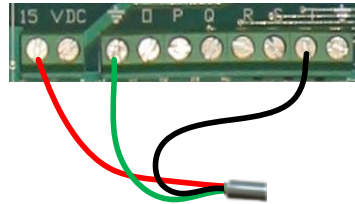
Aegis

+15 Grounds and digital inputs

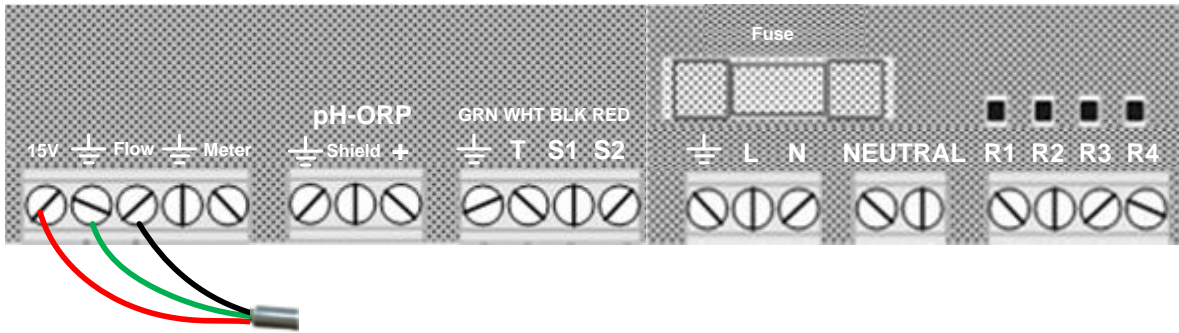


MultiFLEX

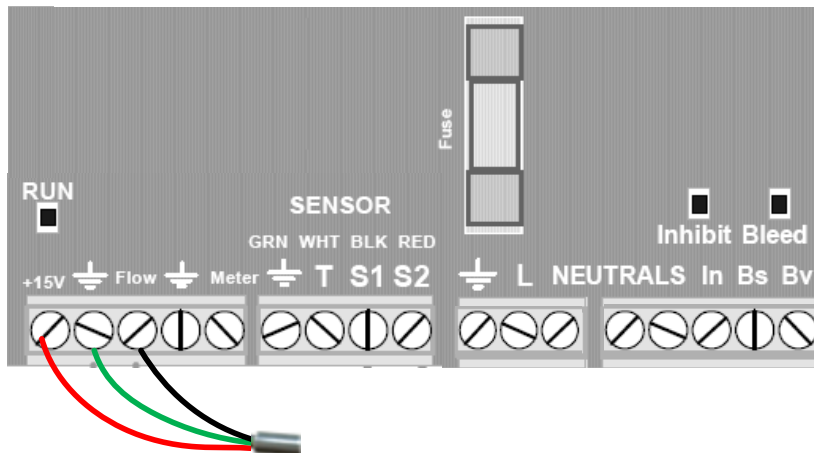
+15 Grounds and digital inputs



SlimFLEX



MicroFLEX



Care & Cleaning of TF Sensor:

Cleaning:

Whitish or Brown Deposits (scale): Soak sensor tips in diluted (1% to 3%) hydrochloric acid for a few minutes (or until scale deposits dissolve).

Organic Fouling (bio-film or oil contamination): Clean sensor with alcohol, solvents or soap and water.

NOTE: Take care not to drop or bump sensor tips on hard surfaces. Cracked or broken graphite tips will require sensor replacement.

Testing the Thermal Flow Switch Function (sensor detects liquid movement across tips):

Test for Flow: Swirl sensor around in a cup of water. Flow should be detected within 30 seconds.

Test for No-Flow: Hold sensor still in a cup of water with no movement. Sensor should show no flow within 30 seconds.

Recommended Preventive Maintenance Replacement Schedule:

The sensor can provide many years of trouble free service. It is recommended the sensor be replaced every 2-3 years if required.

NOTE: Sensors in harsh environments or with debris in the sample stream may require more frequent replacements.

NOTE: Closing the inlet or outlet valve will settle a bouncing probe if air bubbles are present.

Older version (Showing O-Ring)



With union

