

Chlorine Analyzers & Controllers

Reagent free!



ProMinent® Chlorine Analyzers & Controllers provide precise monitoring or control of chlorine for potable and wastewater applications. These engineered systems utilize the latest amperometric sensor technology resulting in a “reagent free” on-line analysis with no colorimetric concerns or reagents.

These chlorine packages are fully plumbed, wired and assembled on a back panel for easy wall mounting. Choose one of three packages by just selecting one part number which includes a microprocessor analyzer, flow cell, flow sensor and a (2 or 10 ppm) free or total chlorine sensor.

Features & Benefits

- **Reagent free** sensor design
- **Amperometric** technology
- **Monitors** and **Controls**
- **Pre-plumbed, wired** and **mounted**
- **EPA method 334.0** compliant
- **Plug & Play** design
- **No service contract** required
- **Real time** process control
- **Easy installation**
- **Data logging** via SD card (DACa)

Chlorine Analyzers & Controllers

D1C Chlorine Residual Analyzer

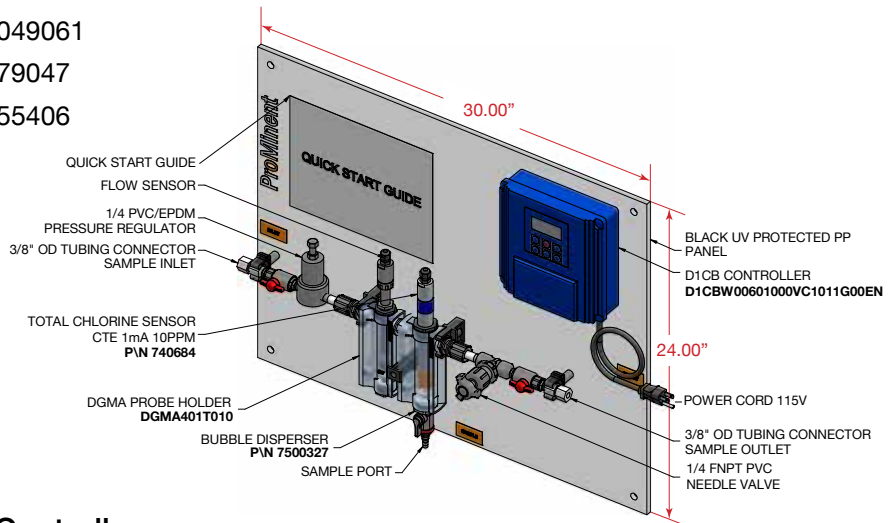
10 PPM Chlorine Sensor (CTE) Package: P/N 1049061

5 PPM Chlorine Sensor (CTE) Package: P/N 1079047

2 PPM Chlorine Sensor (CTE) Package: P/N 1055406

Package includes:

- D1Cb: D1CbW00601000VC1011G00EN
- Sensor module: DGMA401T010
- Backboard (30"W x 24"H)
- Pressure Regulating Valve
- Needle & Sample Valves
- Bubble Diffuser
- All necessary wiring



DACb Total Chlorine Residual Analyzer/Controller

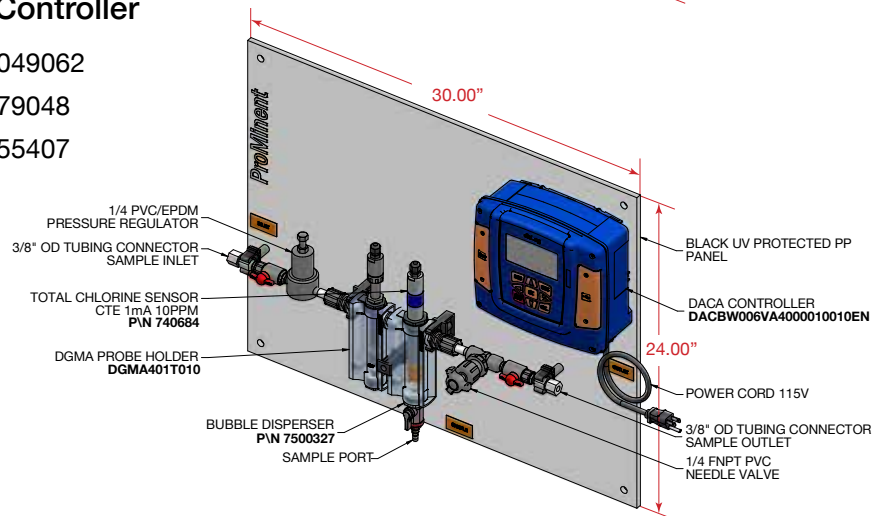
10 PPM Chlorine Sensor (CTE) Package: P/N 1049062

5 PPM Chlorine Sensor (CTE) Package: P/N 1079048

2 PPM Chlorine Sensor (CTE) Package: P/N 1055407

Package includes:

- DACb: DACBW006VA4000010010EN
- Sensor module: DGMA401T010
- Backboard (30"W x 24"H)
- Pressure Regulating Valve
- Needle & Sample Valves
- Bubble Diffuser
- All necessary wiring



DACb Free Chlorine Residual Analyzer/Controller

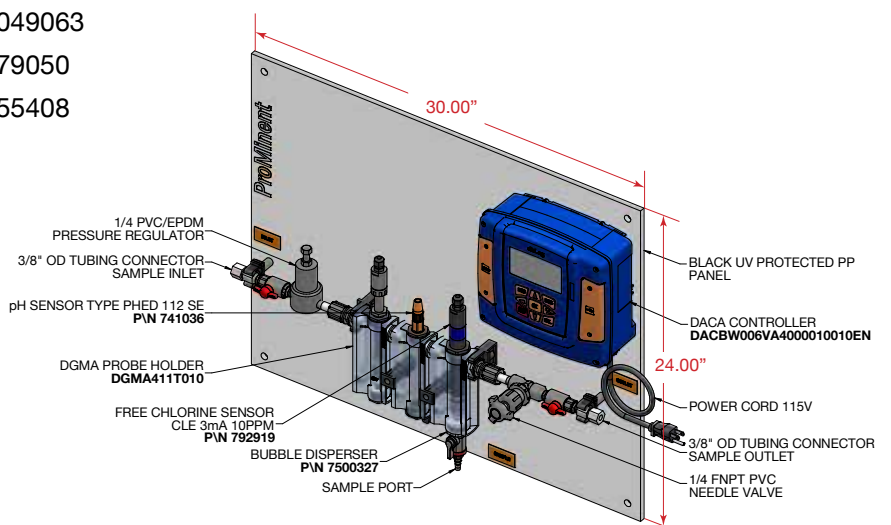
10 PPM Chlorine Sensor (CLE) Package: P/N 1049063

5 PPM Chlorine Sensor (CLE) Package: P/N 1079050

2 PPM Chlorine Sensor (CLE) Package: P/N 1055408

Package includes:

- DACb: DACBW006VA4000010010EN
- Sensor module: DGMA411T010
- Backboard (30"W x 24"H)
- Pressure Regulating Valve
- Needle & Sample Valves
- Bubble Diffuser
- pH sensor
- All necessary wiring



© 2018 ProMinent Fluid Controls, Inc. All Rights Reserved. PN: 7750243 Chlorine_Analyzers_Controllers.indd rev3 02/05/2018