

ProMtrac Controller

Cooling Tower Controller



Cooling Tower controller with intuitive rotary interface provides simple menu navigation while offering flexibility and reliable control. The Start Up Wizard makes programming fast and easy. Comprehensive, pre-configured programming is also available at no additional cost using the latest innovation, Plug & Feed.

Features & Benefits

- LED Alarm status indicator
- Rotary interface with menu selectable push button keys
- Start Up Wizard for fast and easy programming
- Data logging with USB drive
- Browser command & control
- 4 Analog inputs with flexible offering:
 - 2 Conductivity inputs for cycle control
 - 1 pH or ORP input
 - 1 Fluorometer input with ppb control
- 3 Digital inputs:
 - Makeup water meter
 - Bleed water meter
 - One configurable contact set
- 5 Relays with LED indicators and customizable faceplate descriptions:
 - 1 standard powered solenoid or motorized ball valve
 - 4 configurable relays
 - LED indicators for system status
- Up to two 4-20 mA outputs
- User selectable thermal or mechanical flow switch
- Load fuse alarm



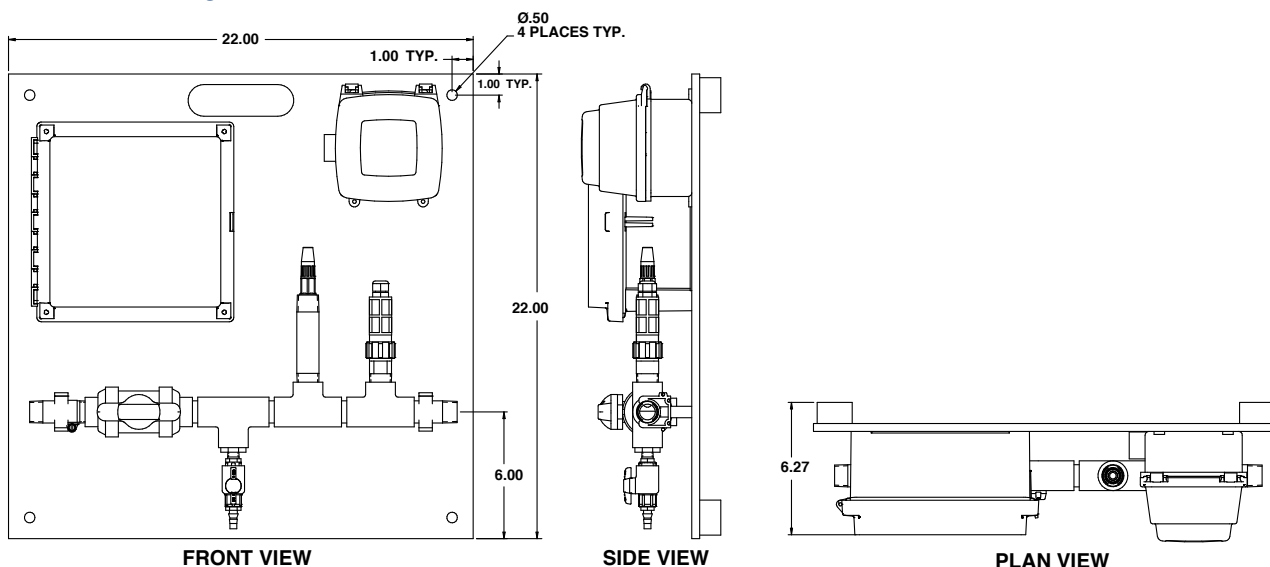
NEW ProMtrac Controller

Specifications

	Notes
Inputs	
Power	115/230 VAC, 50-60Hz, 5 amp
Conductivity Sensor #1	Tower conductivity sensor includes integral temperature and flow sensors
Conductivity Sensor #2	Make-up water conductivity sensor includes integral temperature and flow sensors
pH/ORP Sensor	ProMtrac can be configured with either a pH or ORP probe
Flow Meter #1	Accepts paddlewheel pulse output flow sensor
Flow Meter #2	Accepts paddlewheel pulse output flow sensor
4-20mA	For use with loop powered fluorometer. ProMtrac has internal power supply for sensor
Outputs	
4 Mechanical Relays	Form a dry contact with optional 115/230 VAC, 5 amp power available
1 Relay dedicated for bleed valve	Total load for all five relays fused at 5 amp total. Motor driven pumps will require interposing starter.
4-20mA, 300 Ohm resistive	Can be configured to represent conductivity, pH or ORP
USB Features	
Controller Configuration	Configuration file can be uploaded quickly and easily from memory stick
Operational Datalog	Signal Values, Relay Status, Analog Value(s), Time Stamp
Importing	Data easily imports into spreadsheet
Ethernet	
10/100 Base T, TCP/IP Ethernet LAN	HTML micro web server with user definable IP address
Mechanical	
Enclosure	Polycarbonate NEMA 4X (IP65)
Display	4 x 20 character backlit liquid crystal
Shipping Weight	7 lbs. (3 kg)
Sensor manifold/backpanel option	
Connections	3/4" NPTF
Temperature	140 °F (60°C)

Dimensions

ProMtrac Package



ProMtrac Fluid Controls, Inc.
 136 Industry Drive • Pittsburgh, PA 15275 USA
 (412) 787-2484 • Fax: (412) 787-0704
 email: sales@prominent.us • www.prominent.us

© 2013 ProMtrac Fluid Controls, Inc. All Rights Reserved.

PN: 7750304
 ProMtrac.indd rev1 05/22/2013