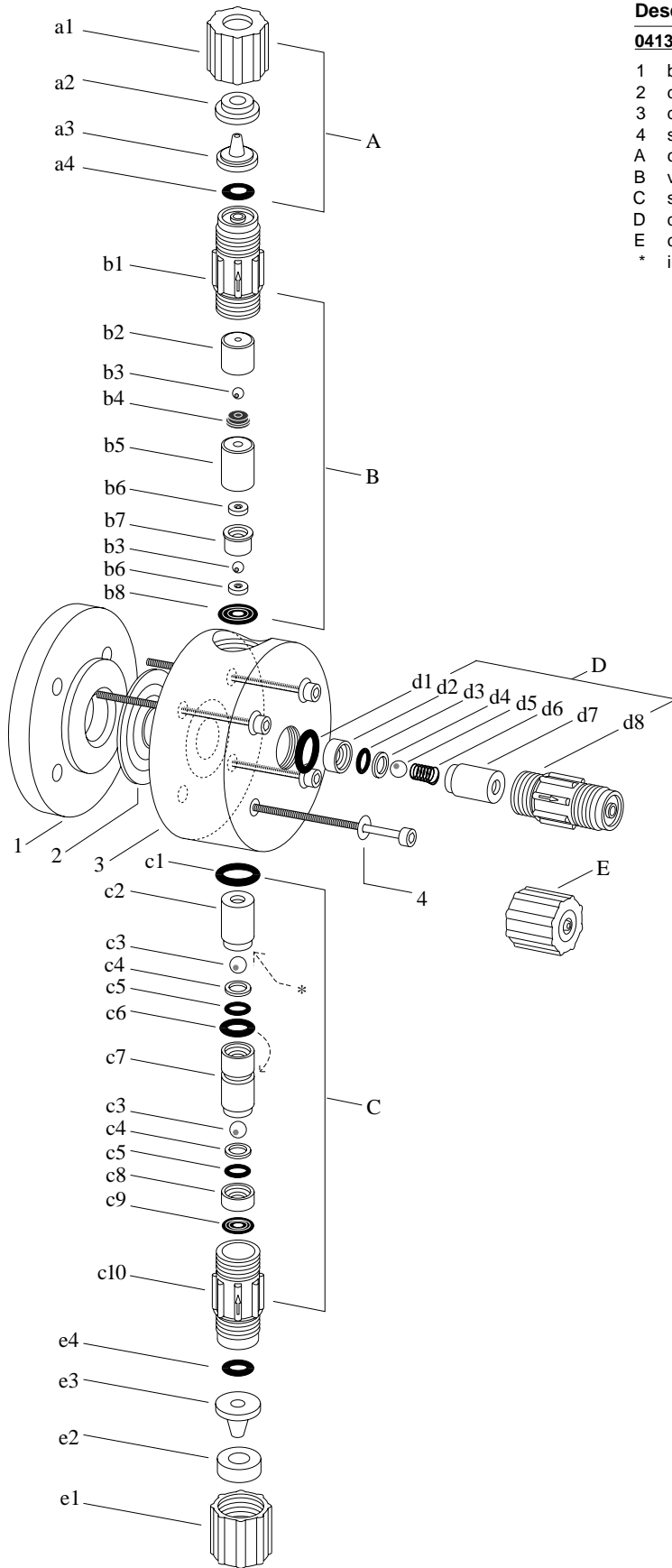


EXPLODED VIEW



Description	Qty.	Part No.
0413-2 NPE9 liquid end complete	1	1002252
1 backplate B0413 90 x 37-2	1	1000265
2 diaphragm 55.0 x 26.0	1	1000249
3 dosing head 90 x 37-2 NP9	1	1001090
4 screw M5 x 55 & washer	4	1000268
A connect. set 1/4" sing. PCE	1	791161
B vent valve sdb GALa 1/4" PCE	1	1001061
C suct. valve GALa 1/2" PCE	1	1001435
D discharge valve GALa sdb 1/2" PCE	1	1001069
E connect. set 1/2" sing. PCE	2	790577
* indicates location of spring if needed		
A connect. set 1/4" sing. PCE	1	791161
a1 union nut M20 x 1.5 PVC	1	800518
a2 clamp ring 1/4" ferule	1	800712
a3 tube nozzle 3/16" PVC	1	800520
a4 O-ring 9 x 2.5 EPDM/P	1	1001263
B vent valve sdb GALa 1/4" PCE	1	1001061
b1 vent body sdb GALa 1/4" PVC	1	1001038
b2 valve insert 4.7-1 PVC	1	791090
b3 valve ball 4.7mm Ceramic	2	404201
b4 ball seat 3 x 9.5 EPDM/P	1	1001233
b5 distance sleeve sdb PVC	1	1001042
b6 ball seat disc 8.95 x 2.1 Ceramic	2	1001589
b7 valve insert sdb PVDF	1	791839
b8 sealing gasket 18 x 2.5 EPDM/P	1	1001232
C suct. valve GALa 1/2" PCE	1	1001435
c1 O-ring 14 x 2 EPDM/P	1	1001264
c2 valve insert 9.2-2 (top) PVC	1	1000490
c3 valve ball 9.2mm Ceramic	2	404281
c4 ball seat disc PVC	2	140554
c5 O-ring 7.65 x 1.78 EPDM/P	2	1001262
c6 O-ring 9 x 2.5 EPDM/P	1	1001263
c7 valve insert 9.2-2 (lower) PVC	1	1000492
c8 valve lid 9.2-2 PVC	1	1000494
c9 sealing gasket 14 x 1.5 EPDM/P	1	1001231
c10 suct. valve body GALa 1/2" PVC	1	1000498
D dis. valve GALa sdb 1/2" PCE	1	1001069
d1 O-ring 14 x 2 EPDM/P	1	1001264
d2 valve lid 9.2-2 PVC	1	1000494
d3 O-ring 7.65 x 1.78 EPDM/P	1	1001262
d4 ball seat disc PVC	1	140554
d5 valve ball 9.2mm Ceramic	1	404281
d6 valve spring Hast.	1	469404
d7 valve insert sdb (dis.) 9.2-2 PVC	1	1000490
d8 dis. body sdb GALa 1/2" PVC	1	1001036
E connect. set 1/2" sing. PCE	**2	790577
e1 union nut M20 x 1.5 PVC	1	800518
e2 clamp ring 1/2" ferule	1	800715
e3 tube nozzle 3/8" PVC	1	800523
e4 O-ring 9 x 2.5 EPDM/P	1	1001263
** sdb sp. parts kits ship with single connector sets. Quantities reflect # of components in each set.		
Spare Parts Set 0413-2 sdb PCE	1	1001664
A connect. set 1/4" sing. PCE	1	791161
B vent valve sdb GALa 1/4" PCE	1	1001061
C suct. valve GALa 1/2" PCE	1	1001435
D discharge valve GALa sdb 1/2" PCE	1	1001069
E connect. set 1/2" sing. PCE	2	790577
2 diaphragm 55.0 x 26.0	1	1000249
b3 valve ball 4.7mm Ceramic	1	404201
b4 ball seat 3 x 9.5 EPDM/P	1	1001233
b8 sealing gasket 18 x 2.5 EPDM/P	1	1001232
c1 O-ring 14 x 2 EPDM/P	2	1001264
c3 valve ball 9.2mm Ceramic	3	404281
c5 O-ring 7.65 x 1.78 EPDM/P	2	1001262
c6 O-ring 9 x 2.5 EPDM/P	1	1001263
c9 sealing gasket 14 x 1.5 EPDM/P	1	1001231

#GALA1NPE9-12/99