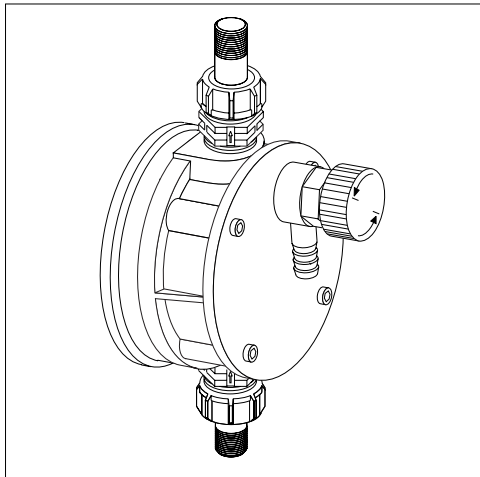
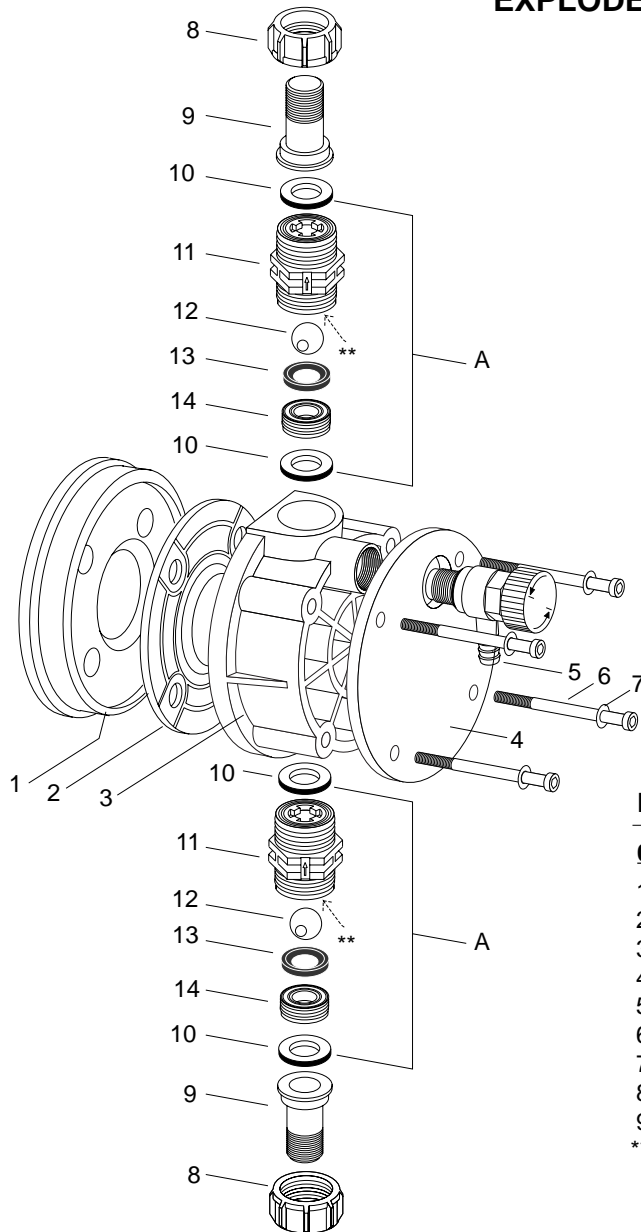


Vario 063 PVT Liquid End Complete (with 10 bar bleed/relief valve).
 For Pump Types: 10025, 09039, 07063

ProMinent

EXPLODED VIEW



Description Qty. Part No.

Description	Qty.	Part No.
063 PVT liq. end cpl. (w/ 10 bar bleed/relief valve)	1	1002973
1 backplate	1	800765
2 DEVELOPAN diaphragm	1	811459
3 dosing head 063 PVDF (b/r)	1	1002271
4 reinforcement plate	1	1002286
5 bleed/relief valve cpl. 10 bar PVA	1	740810
6 bolt M5 x 70	4	468079
7 washer	4	462228
8 clamping nut DN10 PVDF	2	358813
9 NPT insert 1/2" PVDF (Vario)	2	7358634
** indicates location of spring if needed		

A valve cpl. DN10 PVT	*2	1002267
10 cover ring DN10	2	483983
11 valve body DN10 PVDF	1	1002268
12 valve ball 11.1mm Ceramic	1	404277
13 ball seat disc DN10 PTFE	1	740063
14 ball seat bushing DN10 PVDF	1	1002269
* Vario valves complete are used as <i>both</i> suction and discharge valves. Quantities reflect # of components in <i>each</i> valve.		

Spare Parts Kit	1	1003642
A valve cpl. DN10 PVT	2	1002267
2 DEVELOPAN diaphragm	1	811459
10 cover ring DN10	4	483983
12 valve ball 11.1mm Ceramic	2	404277
13 ball seat disc DN10 PTFE	2	740063

#VAR5PVT-5/2000