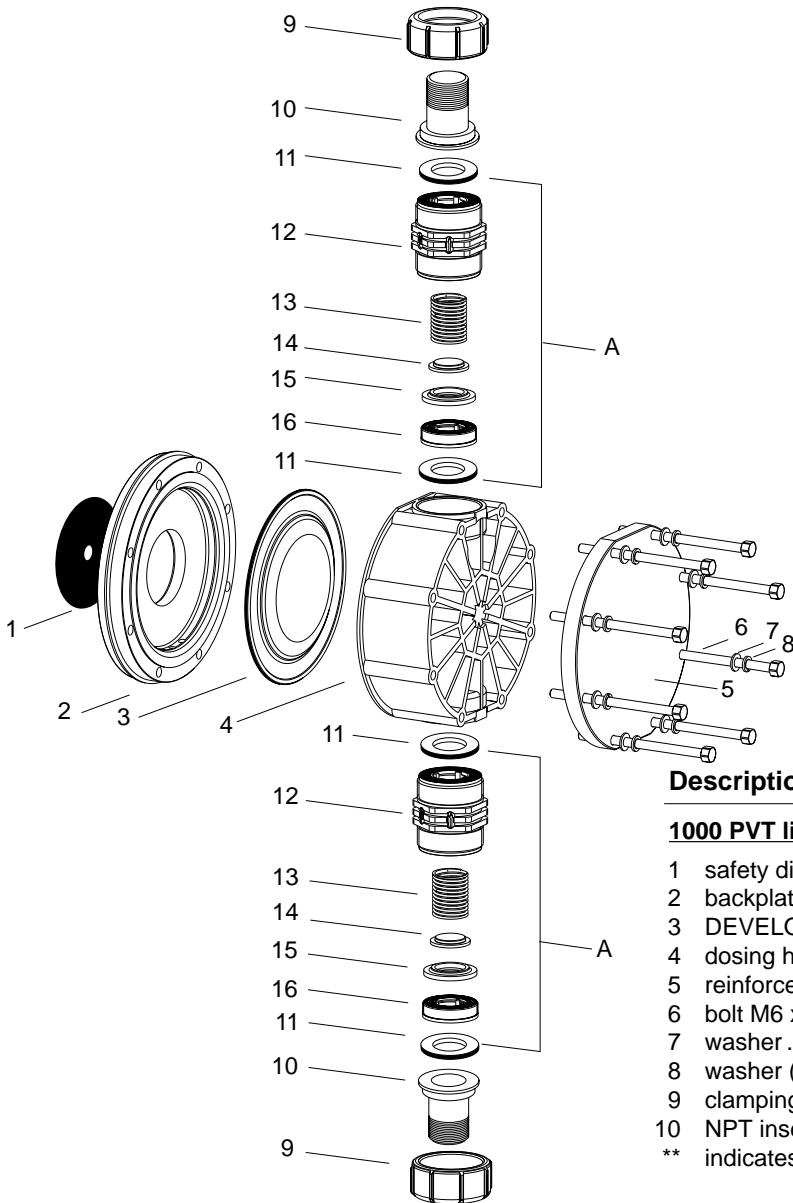


Sigma/3 1000 PVT Liquid End Complete
 For Pump Types: 070410, 070580, 040830

ProMinent®



Description	Qty.	Part No.
1000 PVT liq. end cpl.	1	1005297
1 safety diaphragm	1	1005756
2 backplate	1	1002833
3 DEVELOPAN diaphragm	1	1002835
4 dosing head 1000 PVDF	1	1002814
5 reinforcement plate	1	1005359
6 bolt M6 x 110	8	1005295
7 washer	8	462220
8 washer (lock)	8	1005577
9 clamping nut DN232 PVDF	2	356574
10 NPT insert 1-1/4" PVDF	2	7358644
** indicates location of spring if needed		
A valve cpl. DN32 PVT	*2	1002806
11 cover ring DN32	2	1000308
12 valve body DN32 PVDF	1	1002807
13 valve spring (.1 bar Hastelloy C4) ...	1	1002810
14 fastening body (Hast. C)	1	1002808
15 fastening body disc (Teflon)	1	1002809
16 ball seat bushing DN32 PVDF	1	1002795
* Sigma valves complete are used as <i>both</i> suction and discharge valves. Quantities reflect # of components in <i>each</i> valve.		
Spare Parts Kit	1	1005309
A valve cpl. DN32 PVT	2	1002806
3 DEVELOPAN diaphragm	1	1002835
11 cover ring DN32	4	1000308
13 valve spring (.1 bar Hastelloy C4) ...	2	1002810
14 fastening body (Hast. C)	2	1002808
15 fastening body disc (Teflon)	2	1002809
16 ball seat bushing DN32 PVDF	2	1002795

#SIGMA1000PVT-9/01NA