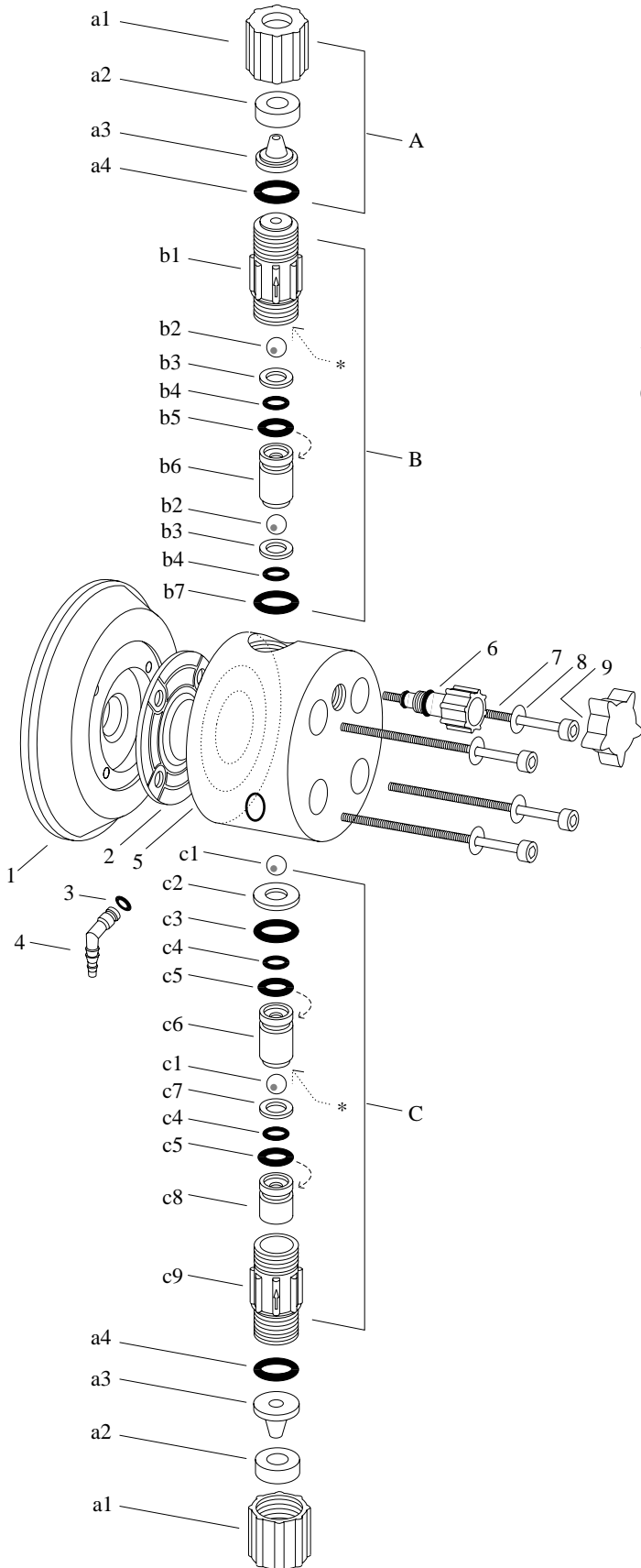


**EXPLODED VIEW**



Description	Qty.	Part No.
-------------	------	----------

**0813-1 NP1 liquid end complete**      **1**      **910827.5**

1	backplate g0813 (blue)	1	800769.2
2	DEVELOPAN diaphragm	1	811459.7
3	O-ring 3.68 x 1.78 Viton	1	481003.2
4	tube nozzle bypass PVC	1	800519.1
5	dosing head body only 0813 Acrylic	1	810760.9
6	bleed valve complete Viton	1	809491.4
7	screw M5 x 60	4	468077.3
8	washer	4	462228.8
9	bleed valve knob PP	1	800632.8
A	connector set 1/2" PC1	1	817055.7
B	discharge valve g/b 1/2" PC1	1	809412.0
C	suction valve g/b 1/2" PC1	1	809413.8
* indicates location of spring if needed			

**A connector set 1/2" PC1**      **1**      **817055.7**

a1	union nut M20 x 1.5 PVC	2	800518.3
a2	clamp ring 1/2" PVC	2	800715.5
a3	tube nozzle 3/8" PVC	2	800530.8
a4	O-ring 9 x 2.5 Viton	2	791421.1

**B discharge valve g/b 1/2" PC1**      **1**      **809412.0**

b1	dis. valve body g/b 1/2" PVC	1	800568.8
b2	valve ball 9.2mm Ceramic	2	404281.8
b3	ball seat disc PVC	2	140554.7
b4	O-ring 3.68 x 1.78 Viton	2	481007.3
b5	O-ring 8.3 x 2.4 Viton	1	481008.1
b6	valve insert 9.2 x 23 PVC	1	800527.4
b7	O-ring 13 x 2.5 Viton	1	481013.1

**C suction valve g/b 1/2" PC1**      **1**      **809413.8**

c1	valve ball 9.2mm Ceramic	2	404281.8
c2	ball seat disc (suction) PVC	1	811525.5
c3	O-ring 13 x 2.5 Viton	1	481013.1
c4	O-ring 3.68 x 1.78 Viton	2	481007.3
c5	O-ring 8.3 x 2.4 Viton	2	481008.1
c6	valve insert 9.2 x 23 PVC	1	800527.4
c7	ball seat disc PVC	1	140554.7
c8	valve insert 13 x 18 PVC	1	800517.5
c9	suct. valve body g/b PVC	1	800569.6

**Spare Parts Set 0813-1 NP1**      **1**      **910974.5**

A	connector set 1/2" PC1	1	817055.7
B	dis. valve g/b 1/2" PC1	1	809412.0
C	suction valve g/b 1/2" PC1	1	809413.8
2	DEVELOPAN diaphragm	1	811459.7
c1	valve ball 9.2mm Ceramic	2	404281.8
c2	ball seat disc (suction) PVC	1	811525.5
c3	O-ring 13 x 2.5 Viton	2	481013.1
c4	O-ring 3.68 x 1.78 Viton	4	481007.3
c5	O-ring 8.3 x 2.4 Viton	3	481008.1
c7	ball seat disc PVC	3	140554.7

#G5B6NP1-1/97NA