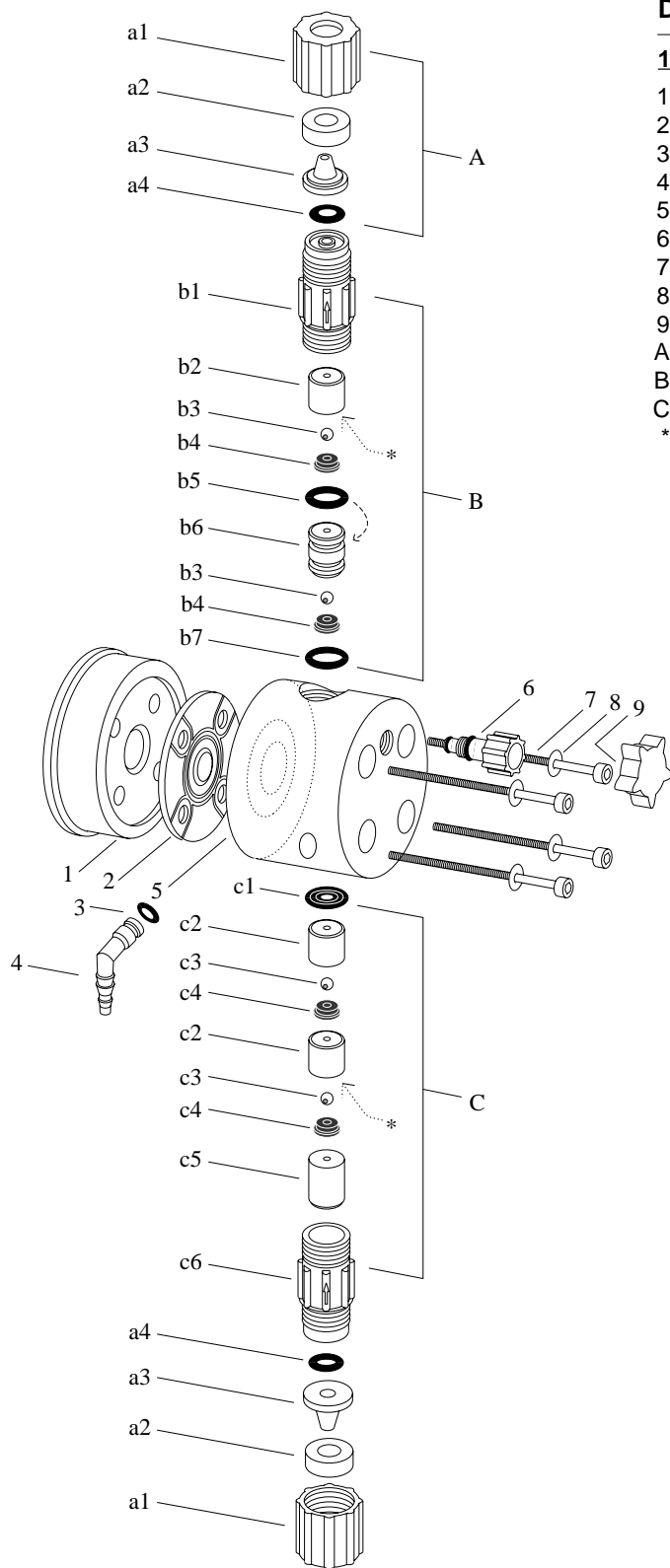


EXPLODED VIEW



Description	Qty.	Part No.
1002-1/1003-1 NP2 liquid end complete	1	740423.9
1 backplate g1002 (blue)	1	141128.9
2 DEVELOPAN diaphragm	1	811456.3
3 O-ring 3.68 x 1.78 EPDM	1	480403.5
4 tube nozzle bypass PVC	1	800519.1
5 dosing head body only 1002-1 Acrylic	1	791865.9
6 bleed valve complete EPDM	1	809490.6
7 screw M5 x 60	4	468077.3
8 washer	4	462228.8
9 bleed valve knob PP	1	800832.8
A connector set 1/2" PC2	1	740160.7
B discharge valve g/b 1/4" PC2	1	740349.6
C suction valve g/b 1/4" PC2	1	792119.0
* indicates location of spring if needed		

A connector set 1/2" PC2 **1** **740160.7**

a1 union nut M20 x 1.5 PVC	2	800518.3
a2 clamp ring 1/2" PVC	2	800715.5
a3 tube nozzle 3/8" PVC	2	800530.8
a4 O-ring 9 x 2.5 EPDM	2	791495.5

B discharge valve g/b 1/4" PC2 **1** **740349.6**

b1 dis. valve body g/b 1/4" PVC	1	791880.8
b2 valve insert 4.7-1 PVC	1	791090.4
b3 valve ball 4.7mm Ceramic	2	404201.6
b4 ball seat 3 x 9.5 EPDM	2	791870.9
b5 O-ring 9 x 2.5 EPDM	1	791495.5
b6 valve insert (dis.) 4.7-1 PVC	1	791879.0
b7 O-ring 14 x 2 EPDM	1	791641.4

C suction valve g/b 1/4" PC2 **1** **792119.0**

c1 sealing gasket 18 x 2.5 EPDM	1	791871.7
c2 valve insert 4.7-1 PVC	2	791090.4
c3 valve ball 4.7mm Ceramic	2	404201.6
c4 ball seat 3 x 9.5 EPDM	2	791870.9
c5 distance sleeve (suction) PVC	1	791089.6
c6 suction valve body g/b PVC	1	800569.6

Spare Parts Set 1002-1/1003-1 NP2 **1** **740386.8**

A connector set 1/2" PC2	1	740160.7
B discharge valve g/b 1/4" PC2	1	740349.6
C suction valve g/b 1/4" PC2	1	792119.0
2 DEVELOPAN diaphragm	1	811456.3
3 O-ring 3.68 x 1.78 EPDM	3	480403.5
6 O-ring (bleed valve) EPDM	1	480408.4
b5 O-ring 9 x 2.5 EPDM	3	791495.5
b7 O-ring 14 x 2 EPDM	1	791641.4
c1 sealing gasket 18 x 2.5 EPDM	1	791871.7
c3 valve ball 4.7mm Ceramic	2	404201.6
c4 ball seat 3 x 9.5 EPDM	4	791870.9

#G4B5NP2-1/97NA