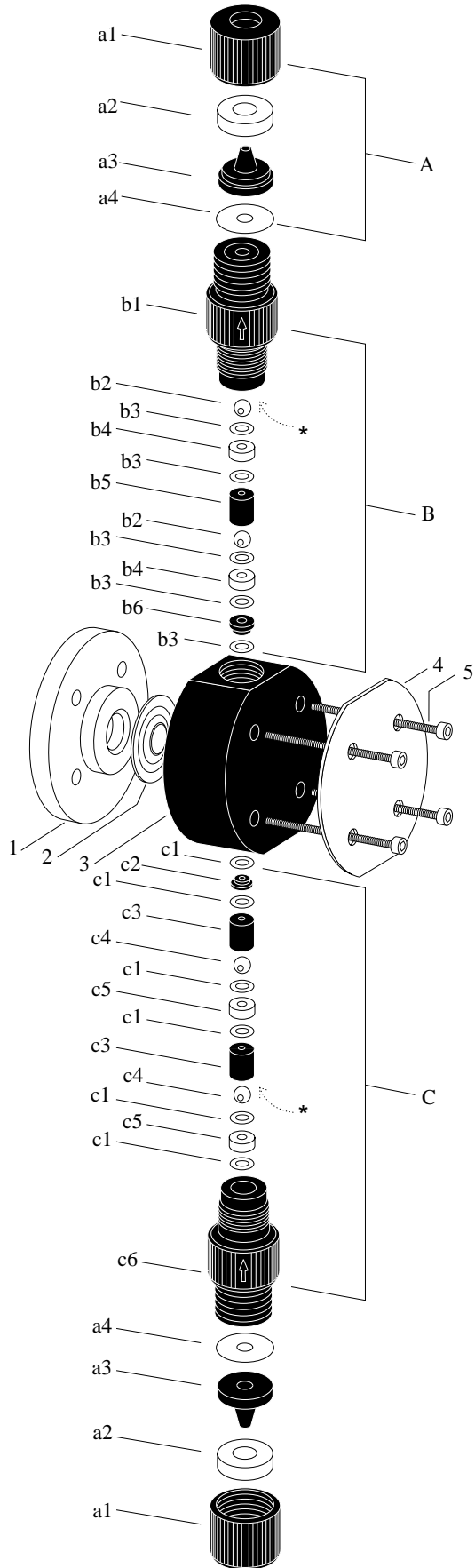


EXPLODED VIEW



Description	Qty.	Part No.
-------------	------	----------

1005-2 TTT0 liquid end complete **1** **1002348**

1 backplate B1005 90 x 23-2	1	1000263
2 diaphragm 46.0 x 16.5	1	1000247
3 dosing head 80 x 23.0-2 TT0	1	1000295
4 reinforcement plate d80	1	1000270
5 screw M5 x 50	4	468075
A connector set 1/2" TT	1	791199
B discharge valve GALa 1/4" TT	1	809406
C suct. valve GALa 1/4" TT	1	809407

* indicates location of spring if needed

A connector set 1/2" TT **1** **791199**

a1 union nut M20 x 1.5 Teflon	2	811802
a2 clamp ring 1/2" Ferule	2	800715
a3 tube nozzle 12 x 9 Teflon	2	811804
a4 gasket 17 x 6.5 x 1 Teflon	2	483911

B discharge valve GALa 1/4" TT **1** **809406**

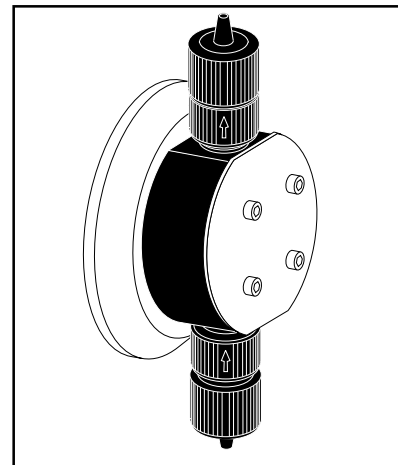
b1 dis. valve body 1/4" Teflon	1	811466
b2 valve ball 4.7mm Ceramic	2	404201
b3 gasket 9.1 x 6 x .5mm Teflon	5	483907
b4 ball seat disc 8.95mm Ceramic	2	404032
b5 valve insert 8.8mm Teflon	1	811467
b6 guide 8.8mm Teflon	1	811468

C suct. valve GALa 1/4" TT **1** **809407**

c1 gasket 9.1 x 6 x .5mm Teflon	6	483907
c2 guide 8.8mm Teflon	1	811468
c3 valve insert 8.8mm Teflon	2	811467
c4 valve ball 4.7mm Ceramic	2	404201
c5 ball seat disc 8.95mm Ceramic	2	404032
c6 suct. valve body 1/4" Teflon	1	811469

Spare Parts Set 1005-2 TTT0 **1** **1001740**

A connector set 1/2" TT	1	791199
B discharge valve GALa 1/4" TT	1	809406
C suct. valve GALa 1/4" TT	1	809407
2 diaphragm 46.0 x 16.5	1	1000247
c1 gasket 9.1 x 6 x .5mm Teflon	11	483907
c4 valve ball 4.7mm Ceramic	2	404201
c5 ball seat disc 8.95mm Ceramic	2	404032



#GALA1TTT0-12/99