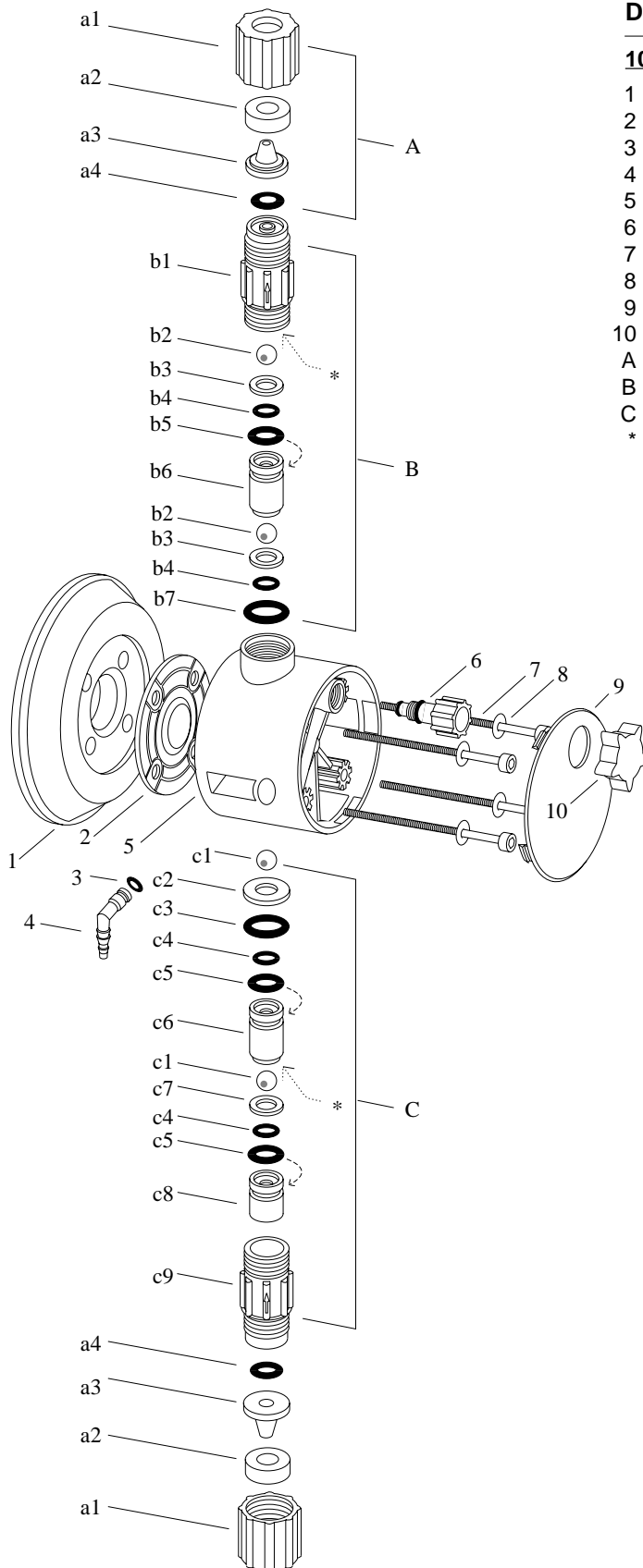


**EXPLODED VIEW**



Description	Qty.	Part No.
<b>1006-1 PP2 liquid end complete</b>	<b>1</b>	<b>7910822.1</b>

1	backplate g1006 (blue)	1	800767.6
2	DEVELOPAN diaphragm	1	811457.1
3	O-ring 3.68 x 1.78 Viton	1	481003.2
4	tube nozzle bypass PP	1	800613.2
5	dosing head body only 0308 PP	1	145530.2
6	bleed valve complete Viton	1	809491.4
7	screw M5 x 60	4	468077.3
8	washer	4	462228.8
9	cover plate with print PP	1	800674.4
10	bleed valve knob PP	1	800832.8
A	connector set 1/2" PP2	1	817171.2
B	discharge valve g/b 1/2" PP2	1	809448.4
C	suction valve g/b 1/2" PP2	1	809449.2
* indicates location of spring if needed			

<b>A connector set 1/2" PP2</b>		1	817171.2
a1	union nut M20 x 1.5 PP	2	800608.2
a2	clamp ring 1/2" PP	2	800619.9
a3	tube nozzle 3/8" PP	2	800627.2
a4	O-ring 9 x 2.5 Viton	2	791421.1

<b>B discharge valve g/b 1/2" PP2</b>		1	809448.4
b1	dis. valve body g/b 1/2" PP	1	800670.2
b2	valve ball 9.2mm Ceramic	2	404281.8
b3	ball seat disc PP	2	140754.3
b4	O-ring 7.65 x 1.78 Viton	2	481007.3
b5	O-ring 8.3 x 2.4 Viton	1	481008.1
b6	valve insert 9.2 x 23 PP	1	800623.1
b7	O-ring 13 x 2.5 Viton	1	481013.1

<b>C suction valve g/b 1/2" PP2</b>		1	809449.2
c1	valve ball 9.2mm Ceramic	2	404281.8
c2	ball seat disc (suction) PP	1	811533.9
c3	O-ring 13 x 2.5 Viton	1	481013.1
c4	O-ring 7.65 x 1.78 Viton	2	481007.3
c5	O-ring 8.3 x 2.4 Viton	2	481008.1
c6	valve insert 9.2 x 23 PP	1	800623.1
c7	ball seat disc PP	1	140754.3
c8	valve insert 13 x 18 PP	1	800621.5
c9	suct. valve body g/b PP	1	800671.0

<b>Spare Parts Set 1006-1 PP2</b>		1	910770.7
A	connector set 1/2" PP2	1	817171.2
B	dis. valve g/b 1/2" PP2	1	809448.4
C	suction valve g/b 1/2" PP2	1	809449.2
2	DEVELOPAN diaphragm	1	811457.1
c1	valve ball 9.2mm Ceramic	2	404281.8
c2	ball seat disc (suction) PP	1	811533.9
c3	O-ring 13 x 2.5 Viton	2	481013.1
c4	O-ring 7.65 x 1.78 Viton	4	481007.3
c5	O-ring 8.3 x 2.4 Viton	3	481008.1
c7	ball seat disc PP	3	140754.3

#G5B3PP2-1/97NA