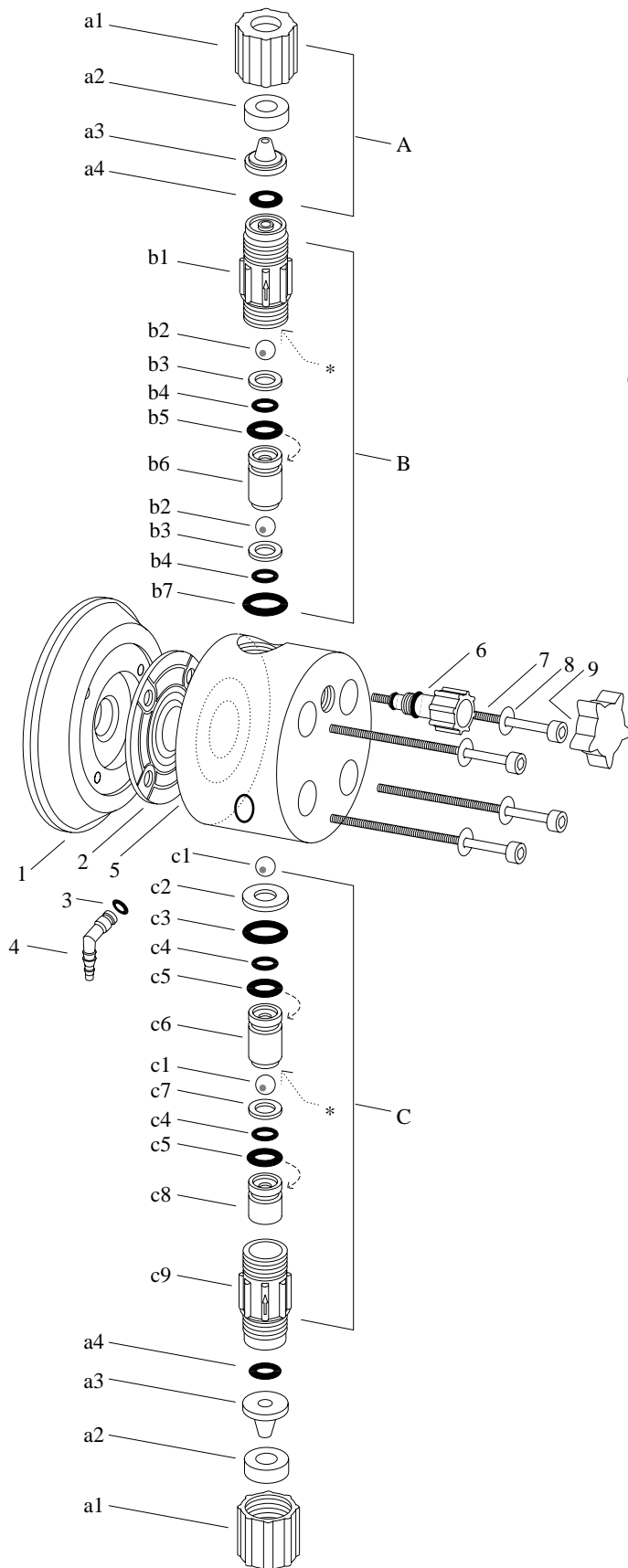


**EXPLODED VIEW**



Description	Qty.	Part No.
<b>1310-1 NP1 liquid end complete</b>	<b>1</b>	<b>910824.2</b>

1 backplate g1310 (blue) .....	1	800768.4
2 DEVELOPAN diaphragm .....	1	811458.9
3 O-ring 3.68 x 1.78 Viton .....	1	481003.2
4 tube nozzle bypass PVC .....	1	800519.1
5 dosing head body only 1310 Acrylic .....	1	810759.1
6 bleed valve complete Viton .....	1	809491.4
7 screw M5 x 60 .....	4	468077.3
8 washer .....	4	462228.8
9 bleed valve knob PP .....	1	800832.8
A connector set 1/2" PC1 .....	1	817055.7
B discharge valve g/b 1/2" PC1 .....	1	809412.0
C suction valve g/b 1/2" PC1 .....	1	809413.8
* indicates location of spring if needed		

<b>A connector set 1/2" PC1</b>	<b>1</b>	<b>817055.7</b>
a1 union nut M20 x 1.5 PVC	2	800518.3
a2 clamp ring 1/2" PVC	2	800715.5
a3 tube nozzle 3/8" PVC	2	800530.8
a4 O-ring 9 x 2.5 Viton	2	791421.1

<b>B discharge valve g/b 1/2" PC1</b>	<b>1</b>	<b>809412.0</b>
b1 dis. valve body g/b 1/2" PVC .....	1	800568.8
b2 valve ball 9.2mm Ceramic .....	2	404281.8
b3 ball seat disc PVC .....	2	140554.7
b4 O-ring 3.68 x 1.78 Viton .....	2	481007.3
b5 O-ring 8.3 x 2.4 Viton .....	1	481008.1
b6 valve insert 9.2 x 23 PVC .....	1	800527.4
b7 O-ring 13 x 2.5 Viton .....	1	481013.1

<b>C suction valve g/b 1/2" PC1</b>	<b>1</b>	<b>809413.8</b>
c1 valve ball 9.2mm Ceramic .....	2	404281.8
c2 ball seat disc (suction) PVC .....	1	811525.5
c3 O-ring 13 x 2.5 Viton .....	1	481013.1
c4 O-ring 3.68 x 1.78 Viton .....	2	481007.3
c5 O-ring 8.3 x 2.4 Viton .....	2	481008.1
c6 valve insert 9.2 x 23 PVC .....	1	800527.4
c7 ball seat disc PVC .....	1	140554.7
c8 valve insert 13 x 18 PVC .....	1	800517.5
c9 suct. valve body g/b PVC .....	1	800569.6

<b>Spare Parts Set 1310-1 NP1</b>	<b>1</b>	<b>912696.2</b>
A connector set 1/2" PVC .....	1	817055.7
B dis. valve g/b 1/2" PVC .....	1	809412.0
C suction valve g/b 1/2" PC1 .....	1	809413.8
2 DEVELOPAN diaphragm .....	1	811458.9
c1 valve ball 9.2mm Ceramic .....	2	404281.8
c2 ball seat disc (suction) PVC .....	1	811525.5
c3 O-ring 13 x 2.5 Viton .....	2	481013.1
c4 O-ring 3.68 x 1.78 Viton .....	4	481007.3
c5 O-ring 8.3 x 2.4 Viton .....	3	481008.1
c7 ball seat disc PVC .....	3	140554.7

#G5B4NP1-1/97NA